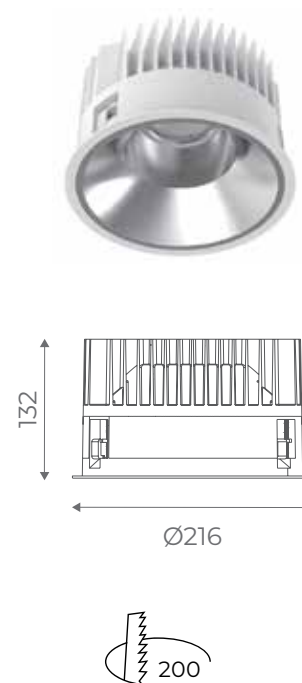


SPECIFICATIONS OVERVIEW:

Version	Fixed
Trim Finish	White, Black
Reflector	Matt Silver, White, Black
Colour Temperature	3000K, 4000K (others on request)
Beam Angle	18°, 30°, 60°
LED Power	25W, 38W, 52W
LED	CRI >90, L80 B10/50,000hr, <3SDCM
Controls	Non-Dim, Phase Dim, 1-10V, DALI
COI	Compliant (25W, 4000K only)
IP Rating	IP54
Warranty	5 Years



SPECIFICATIONS CODES:

ILD200-25W 2400-3000 Lm nominal (CITIZEN LED)

Code	LED output	Module output	LED Voltage	LED Current	LED Power	CRI	CCT	BEAM
ILD200-25W-930-18	3300 lm	2800 lm	36 V	700 mA	25W	>90	3000K	18°
ILD200-25W-940-18	3400 lm	3000 lm	36 V	700 mA	25W	>90	4000K	18°
ILD200-25W-930-30	3300 lm	2800 lm	36 V	700 mA	25W	>90	3000K	30°
ILD200-25W-940-30	3400 lm	3000 lm	36 V	700 mA	25W	>90	4000K	30°
ILD200-25W-930-60	3300 lm	2400 lm	36 V	700 mA	25W	>90	3000K	60°
ILD200-25W-940-60	3400 lm	2600 lm	36 V	700 mA	25W	>90	4000K	60°

SPECIFICATIONS CODES CONTINUE OVERLEAF...

ILD200-38W 3300-4100 Lm nominal (CITIZEN LED)

Code	LED output	Module output	LED Voltage	LED Current	LED Power	CRI	CCT	BEAM
ILD200-38W-930-18	4600 lm	3800 lm	36 V	1050 mA	38W	>90	3000K	18°
ILD200-38W-940-18	4800 lm	4000 lm	36 V	1050 mA	38W	>90	4000K	18°
ILD200-38W-930-30	4600 lm	3800 lm	36 V	1050 mA	38W	>90	3000K	30°
ILD200-38W-940-30	4800 lm	4000 lm	36 V	1050 mA	38W	>90	4000K	30°
ILD200-38W-930-60	4600 lm	3300 lm	36 V	1050 mA	38W	>90	3000K	60°
ILD200-38W-940-60	4800 lm	3500 lm	36 V	1050 mA	38W	>90	4000K	60°

ILD200-52W 4100-5000 Lm nominal (CITIZEN LED)

Code	LED output	Module output	LED Voltage	LED Current	LED Power	CRI	CCT	BEAM
ILD200-52W-930-18	5600 lm	4600 lm	36 V	1400 mA	52W	>90	3000K	18°
ILD200-52W-940-18	5800 lm	4800 lm	36 V	1400 mA	52W	>90	4000K	18°
ILD200-52W-930-30	5600 lm	4600 lm	36 V	1400 mA	52W	>90	3000K	30°
ILD200-52W-940-30	5800 lm	5000 lm	36 V	1400 mA	52W	>90	4000K	30°
ILD200-52W-930-60	5600 lm	4100 lm	36 V	1400 mA	52W	>90	3000K	60°
ILD200-52W-940-60	5800 lm	4300 lm	36 V	1400 mA	52W	>90	4000K	60°