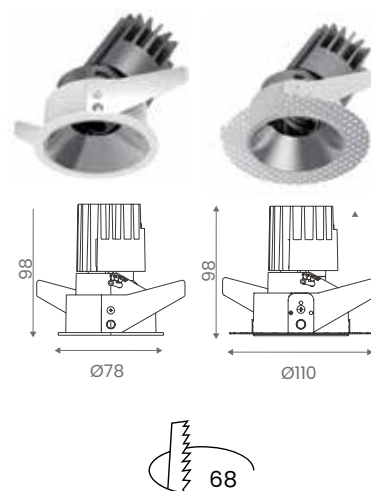


SPECIFICATIONS OVERVIEW:

Version	Adjustable - Trim, Trimless
Trim Finish	White, Black
Reflector	Matt Silver, White, Black, Specular
Colour Temperature	3000K, 4000K (others on request)
Beam Angle	24°, 40°, 55°
LED Power	7.5W, 11W
LED	CRI >90, L80 B10/50,000hr, <3SDCM
Controls	Non-Dim, Phase Dim, 1-10V, DALI
COI	Compliant (4000K only)
IP Rating	IP20
Warranty	5 Years



SPECIFICATIONS CODES:

ILD-PRO68A-7.5W 500-650 lm nominal

CODE	LED Output	Module Output	LED Voltage	LED Current	LED Power	CRI	CCT	BEAM
ILD-PRO68A-7.5W-930-24	850lm	600lm	31V	250mA	7.5W	90	3000K	24°
ILD-PRO68A-7.5W-940-24	900lm	650lm	31V	250mA	7.5W	90	4000K	24°
ILD-PRO68A-7.5W-930-40	850lm	600lm	31V	250mA	7.5W	90	3000K	40°
ILD-PRO68A-7.5W-940-40	900lm	650lm	31V	250mA	7.5W	90	4000K	40°
ILD-PRO68A-7.5W-930-55	850lm	500lm	31V	250mA	7.5W	90	3000K	55°
ILD-PRO68A-7.5W-940-55	900lm	550lm	31V	250mA	7.5W	90	4000K	55°

ILD-PRO68A-11W 650-850 lm nominal

CODE	LED Output	Module Output	LED Voltage	LED Current	LED Power	CRI	CCT	BEAM
ILD-PRO68A-11W-930-24	1100lm	800lm	31V	350mA	11W	90	3000K	24°
ILD-PRO68A-11W-940-24	1200lm	850lm	31V	350mA	11W	90	4000K	24°
ILD-PRO68A-11W-930-40	1100lm	800lm	31V	350mA	11W	90	3000K	40°
ILD-PRO68A-11W-940-40	1200lm	850lm	31V	350mA	11W	90	4000K	40°
ILD-PRO68A-11W-930-55	1100lm	650lm	31V	350mA	11W	90	3000K	55°
ILD-PRO68A-11W-940-55	1200lm	700lm	31V	350mA	11W	90	4000K	55°