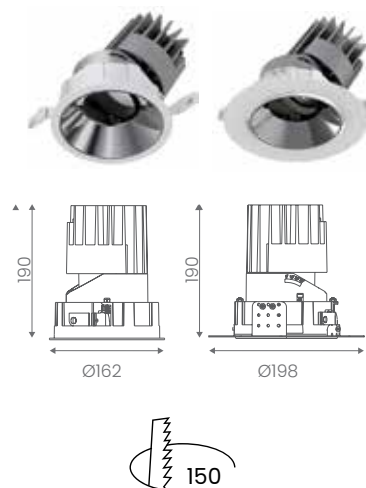


#### SPECIFICATIONS OVERVIEW:

Version	Adjustable - Trim, Trimless
Trim Finish	White, Black
Reflector	Matt Silver, White, Black, Specular
Colour Temperature	3000K, 4000K (others on request)
Beam Angle	20°, 35°, 50°
LED Power	25W, 38W
LED	CRI >90, L80 B10/50,000hr, <3SDCM
Controls	Non-Dim, Phase Dim, 1-10V, DALI
COI	Compliant (4000K only)
IP Rating	IP20
Warranty	5 Years



#### SPECIFICATIONS CODES:

ILD-PRO150A-25W 1800-1900 lm nominal

CODE	LED Output	Module Output	LED Voltage	LED Current	LED Power	CRI	CCT	BEAM
ILD-PRO150A-25W-930-20	2700lm	1800lm	36V	700mA	25W	90	3000K	20°
ILD-PRO150A-25W-940-20	2800lm	1900lm	36V	700mA	25W	90	4000K	20°
ILD-PRO150A-25W-930-35	2700lm	1800lm	36V	700mA	25W	90	3000K	35°
ILD-PRO150A-25W-940-35	2800lm	1900lm	36V	700mA	25W	90	4000K	35°
ILD-PRO150A-25W-930-50	2700lm	1800lm	36V	700mA	25W	90	3000K	50°
ILD-PRO150A-25W-940-50	2800lm	1900lm	36V	700mA	25W	90	4000K	50°

ILD-PRO150A-38W 2500-2700 lm nominal

CODE	LED Output	Module Output	LED Voltage	LED Current	LED Power	CRI	CCT	BEAM
ILD-PRO150A-38W-930-20	3700lm	2500lm	36V	1050mA	38W	90	3000K	20°
ILD-PRO150A-38W-940-20	3900lm	2700lm	36V	1050mA	38W	90	4000K	20°
ILD-PRO150A-38W-930-35	3700lm	2500lm	36V	1050mA	38W	90	3000K	35°
ILD-PRO150A-38W-940-35	3900lm	2700lm	36V	1050mA	38W	90	4000K	35°
ILD-PRO150A-38W-930-50	3700lm	2500lm	36V	1050mA	38W	90	3000K	50°
ILD-PRO150A-38W-940-50	3900lm	2700lm	36V	1050mA	38W	90	4000K	50°