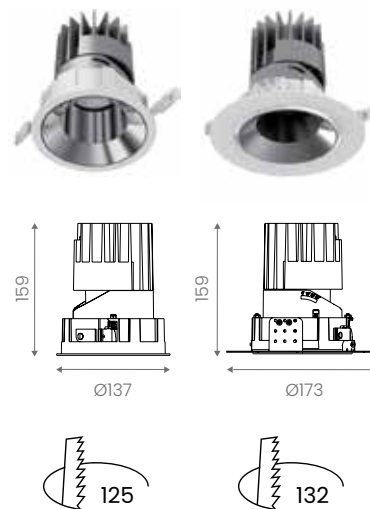


#### SPECIFICATIONS OVERVIEW:

Version	Fixed - Trim, Trimless
Trim Finish	White, Black
Reflector	Matt Silver, White, Black, Specular
Colour Temperature	3000K, 4000K (others on request)
Beam Angle	28°, 40°, 50°
LED Power	18W, 25W
LED	CRI >90, L80 B10/50,000hr, <3SDCM
Controls	Non-Dim, Phase Dim, 1-10V, DALI
COI	Compliant (4000K only)
IP Rating	IP20
Warranty	5 Years



#### SPECIFICATIONS CODES:

ILD-PRO125F-18W 1400-1500 lm nominal

CODE	LED Output	Module Output	LED Voltage	LED Current	LED Power	CRI	CCT	BEAM
ILD-PRO125F-18W-930-28	2000lm	1400lm	36V	500mA	18W	90	3000K	28°
ILD-PRO125F-18W-940-28	2100lm	1500lm	36V	500mA	18W	90	4000K	28°
ILD-PRO125F-18W-930-40	2000lm	1400lm	36V	500mA	18W	90	3000K	40°
ILD-PRO125F-18W-940-40	2100lm	1500lm	36V	500mA	18W	90	4000K	40°
ILD-PRO125F-18W-930-50	2000lm	1400lm	36V	500mA	18W	90	3000K	50°
ILD-PRO125F-18W-940-50	2100lm	1500lm	36V	500mA	18W	90	4000K	50°

ILD-PRO125F-25W 1800-1900 lm nominal

CODE	LED Output	Module Output	LED Voltage	LED Current	LED Power	CRI	CCT	BEAM
ILD-PRO125F-25W-930-28	2600lm	1800lm	36V	700mA	25W	90	3000K	28°
ILD-PRO125F-25W-940-28	2700lm	1900lm	36V	700mA	25W	90	4000K	28°
ILD-PRO125F-25W-930-40	2600lm	1800lm	36V	700mA	25W	90	3000K	40°
ILD-PRO125F-25W-940-40	2700lm	1900lm	36V	700mA	25W	90	4000K	40°
ILD-PRO125F-25W-930-50	2600lm	1800lm	36V	700mA	25W	90	3000K	50°
ILD-PRO125F-25W-940-50	2700lm	1900lm	36V	700mA	25W	90	4000K	50°