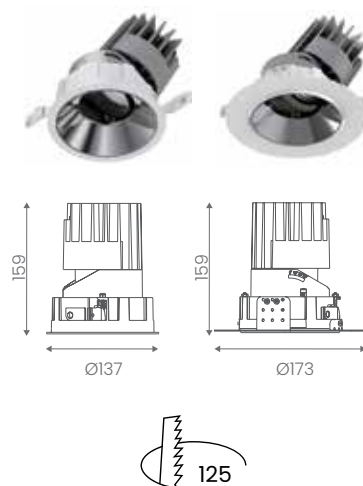


SPECIFICATIONS OVERVIEW:

Version	Adjustable - Trim, Trimless
Trim Finish	White, Black
Reflector	Matt Silver, White, Black, Specular
Colour Temperature	3000K, 4000K (others on request)
Beam Angle	20°, 40°, 50°
LED Power	18W, 25W
LED	CRI >90, L80 B10/50,000hr, <3SDCM
Controls	Non-Dim, Phase Dim, 1-10V, DALI
COI	Compliant (4000K only)
IP Rating	IP20
Warranty	5 Years



SPECIFICATIONS CODES:

ILD-PRO125A-18W 1300-1400 lm nominal

CODE	LED Output	Module Output	LED Voltage	LED Current	LED Power	CRI	CCT	BEAM
ILD-PRO125A-18W-930-20	2000lm	1300lm	36V	500mA	18W	90	3000K	20°
ILD-PRO125A-18W-940-20	2100lm	1400lm	36V	500mA	18W	90	4000K	20°
ILD-PRO125A-18W-930-40	2000lm	1300lm	36V	500mA	18W	90	3000K	40°
ILD-PRO125A-18W-940-40	2100lm	1400lm	36V	500mA	18W	90	4000K	40°
ILD-PRO125A-18W-930-50	2000lm	1300lm	36V	500mA	18W	90	3000K	50°
ILD-PRO125A-18W-940-50	2100lm	1400lm	36V	500mA	18W	90	4000K	50°

ILD-PRO125A-25W 1700-1800 lm nominal

CODE	LED Output	Module Output	LED Voltage	LED Current	LED Power	CRI	CCT	BEAM
ILD-PRO125A-25W-930-20	2600lm	1700lm	36V	700mA	25W	90	3000K	20°
ILD-PRO125A-25W-940-20	2700lm	1800lm	36V	700mA	25W	90	4000K	20°
ILD-PRO125A-25W-930-40	2600lm	1700lm	36V	700mA	25W	90	3000K	40°
ILD-PRO125A-25W-940-40	2700lm	1800lm	36V	700mA	25W	90	4000K	40°
ILD-PRO125A-25W-930-50	2600lm	1700lm	36V	700mA	25W	90	3000K	50°
ILD-PRO125A-25W-940-50	2700lm	1800lm	36V	700mA	25W	90	4000K	50°