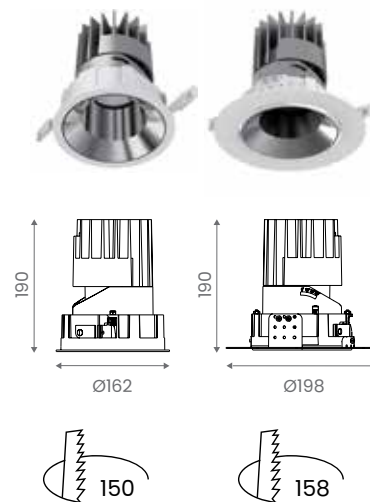


SPECIFICATIONS OVERVIEW:

Trim Finish	White, Black
Reflector	Matt Silver, White, Black, Specular
Colour Temperature	3000K, 4000K (others on request)
Beam Angle	28°, 32°, 50°
LED Power	25W, 38W
LED	CRI >90, L80 B10/50,000hr, <3SDCM
Controls	Non-Dim, Phase Dim, 1-10V, DALI
COI	Compliant (4000K only)
IP Rating	IP54
Warranty	5 Years



SPECIFICATIONS CODES:

ILD-PRO150F-25W 1900-2000 lm nominal

CODE	LED Output	Module Output	LED Voltage	LED Current	LED Power	CRI	CCT	BEAM
ILD-PRO150F-25W-930-28	2700lm	1900lm	36V	700mA	25W	90	3000K	28°
ILD-PRO150F-25W-940-28	2800lm	2000lm	36V	700mA	25W	90	4000K	28°
ILD-PRO150F-25W-930-32	2700lm	1900lm	36V	700mA	25W	90	3000K	32°
ILD-PRO150F-25W-940-32	2800lm	2000lm	36V	700mA	25W	90	4000K	32°
ILD-PRO150F-25W-930-50	2700lm	1900lm	36V	700mA	25W	90	3000K	50°
ILD-PRO150F-25W-940-50	2800lm	2000lm	36V	700mA	25W	90	4000K	50°

ILD-PRO150F-38W 2700-2900 lm nominal

CODE	LED Output	Module Output	LED Voltage	LED Current	LED Power	CRI	CCT	BEAM
ILD-PRO150F-38W-930-28	3700lm	2700lm	36V	1050mA	38W	90	3000K	28°
ILD-PRO150F-38W-940-28	3900lm	2900lm	36V	1050mA	38W	90	4000K	28°
ILD-PRO150F-38W-930-32	3700lm	2700lm	36V	1050mA	38W	90	3000K	32°
ILD-PRO150F-38W-940-32	3900lm	2900lm	36V	1050mA	38W	90	4000K	32°
ILD-PRO150F-38W-930-50	3700lm	2700lm	36V	1050mA	38W	90	3000K	50°
ILD-PRO150F-38W-940-50	3900lm	2900lm	36V	1050mA	38W	90	4000K	50°